

- o Flat Cable Connectors SEK
- o *har-mik®*
- o D-Sub
- o InduCom

➔ Applications



Product details

09 03 160 6901

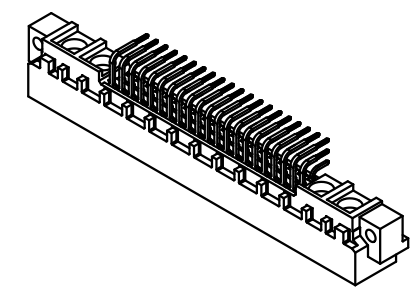
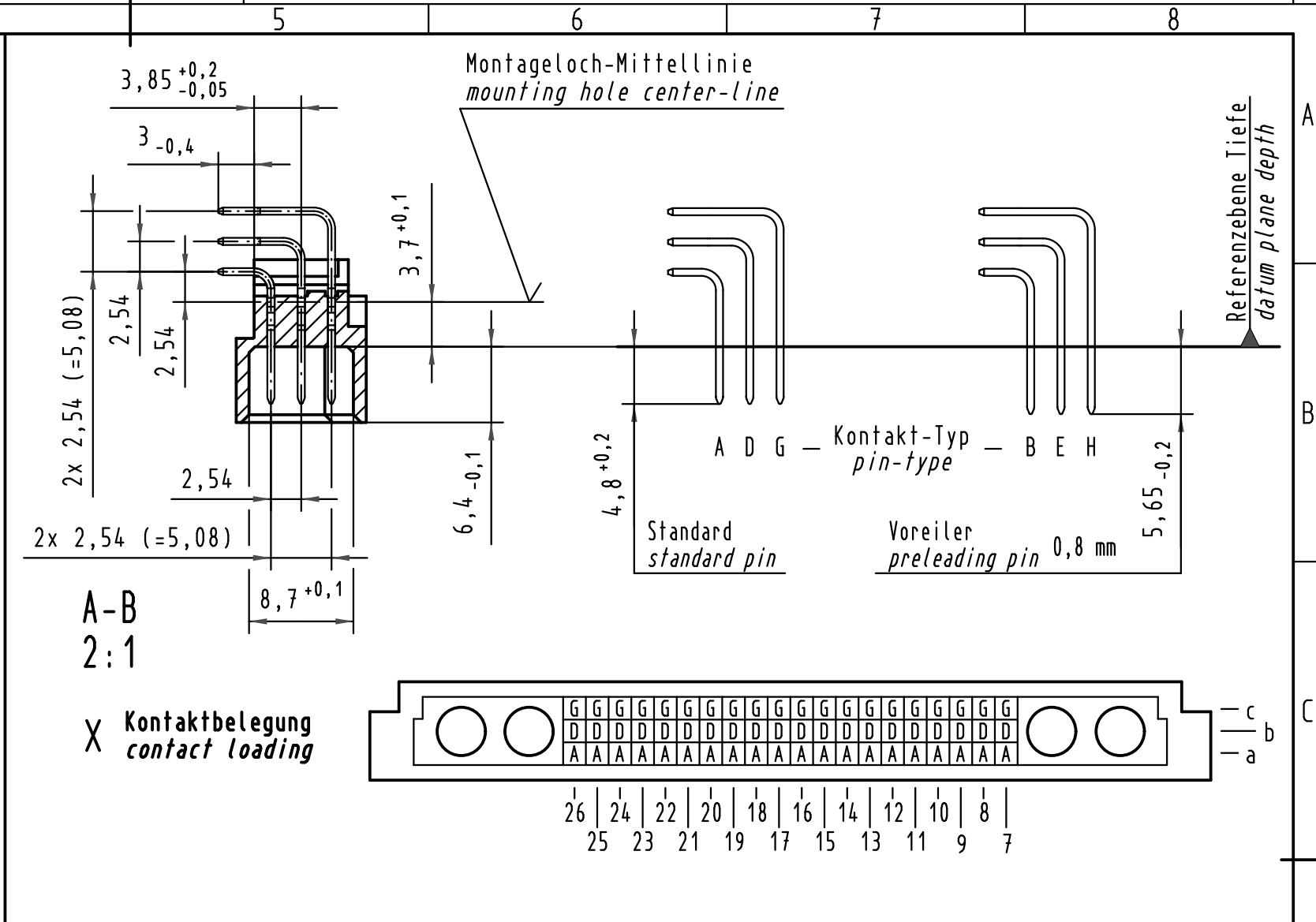
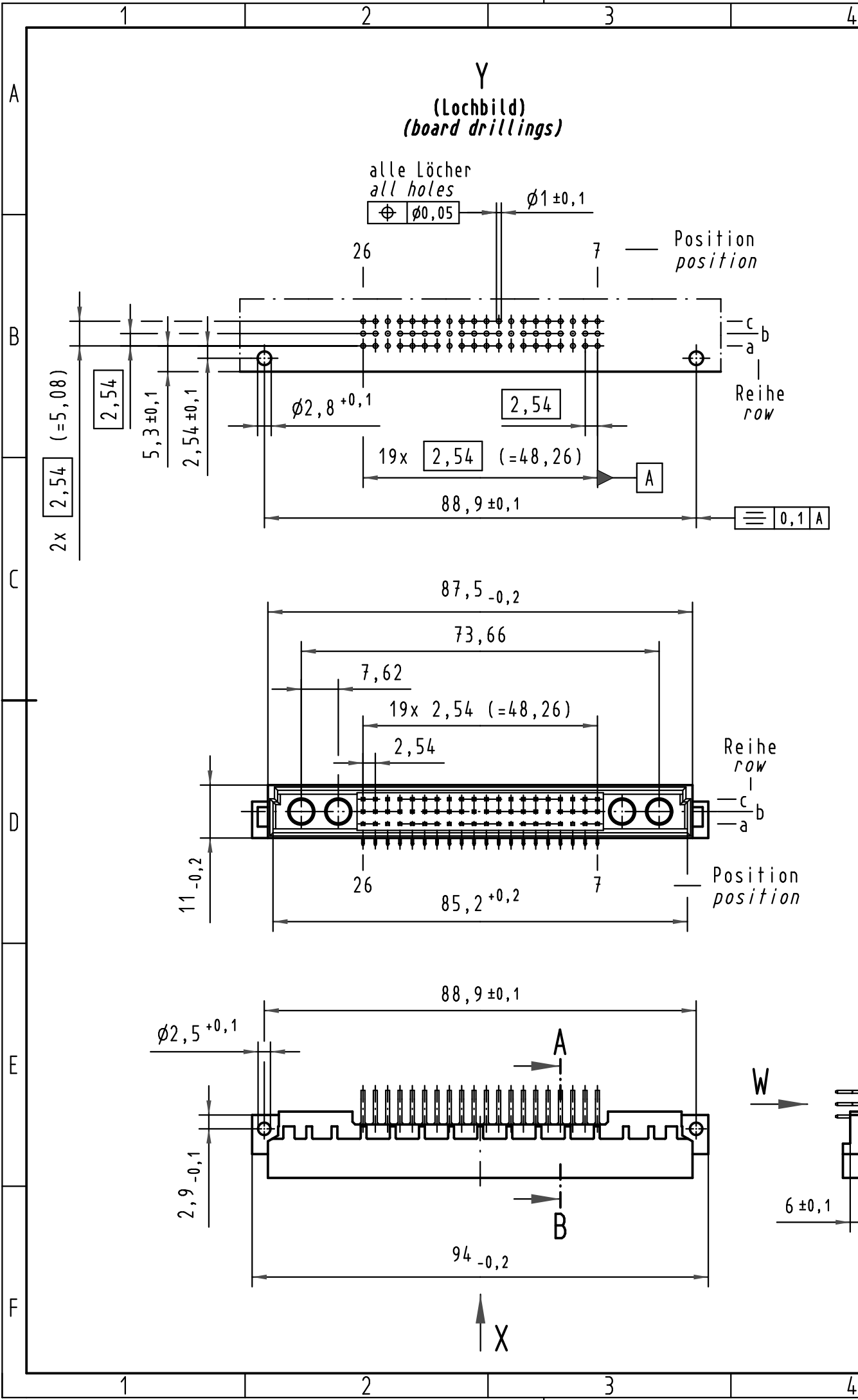
Printed board connector

Type	Type M
Standard/Inverse	Standard
Contact gender	Male contacts
Size	Whole size
Number of contacts	60 + 4 high current or coaxial contacts
Contact arrangement	Rows a, b and c
Termination	Angled solder pins
Termination length	3.0 mm
First mating contact	without first mating contacts
Performance Class	Performance level 2 as per IEC 60603-2
Row pitch	2.54 mm
Board fixing	Without fixing
Current	2 A max.
Clearance/ Creepage	1.2 / 1.2 mm min.
RoHS compliant	Yes

Inquiry

Available Downloads

Alle Rechte vorbehalten/ All rights reserved



W 10:1

Querschnitt der Lötanschlüsse:
cross-section of solder terminations:

0,6 - 0,025

0,29 - 0,33 mm²

0,5 ± 0,05

09 03 160 7901	3	Au über/over Ni
09 03 160 6901	2	Au über/over Ni
09 03 160 2901	1	Au über/over Ni
Bestell-Nr. part-no.	Anforderungsstufe nach IEC performance level acc. to IEC	Kontaktoberfläche contact plating

All Dimensions in mm Original Size DIN A 3			Techn. Character.			Nicht tolerierte Maß/Free size tolerances IEC 60603-2			
			Dat.	Name	Maßstab/Scale	Bauform M60 Messerleiste Einlöt, 60 pol. type M60 male connector solder, 60 pol.			
			Detail.	20.07.01	Rie.				1:1
			Insp.	20.07.01	Pa.				2:1
			Stand.						10:1
34650	11.10.07	Hage.	HARTING Electronics GmbH & Co. KG			TB 09 03 160 x901			
30012			D-32339 ESPELKAMP						
Mod.	Dat.	Name							
						Sub.		Blatt/ page	